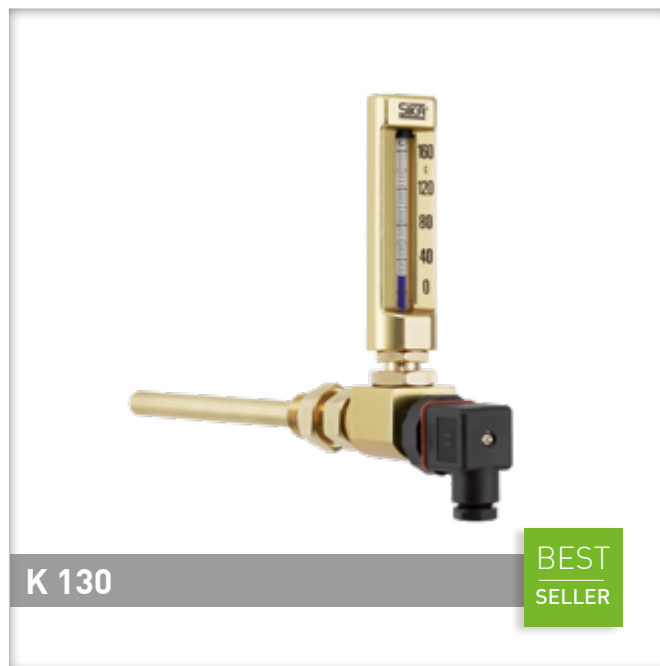


# KombiTemp® // Angle plug // -30...200 °C



## Your advantages

Series	K 122 / K 130
	<ul style="list-style-type: none"> <li>• High measurement reliability due to two independent measuring points.</li> <li>• Fast detection of malfunctioning probes or dial thermometers in the system to be checked</li> <li>• Low installation costs, advantages of the industrial thermometer</li> </ul>

## Technical data

<b>Version</b>	Straight	Angle 90°
<b>Dimensions housing</b>	110 x 30 mm	
<b>Measuring range</b>	-30...200 °C	
<b>Medium / Application</b>	Liquid and gaseous media	
<b>Immersion tube length</b>	63 mm, 100 mm or 160 mm	
<b>Immersion tube diameter</b>	10 mm	12 mm
<b>Process connection</b> → Fixed thread connection	G½ or M20 x 1.5	
<b>Nominal pressure</b> → Immersion tube brass → Immersion tube stainless steel	PN 16 PN 40	
<b>Thermometer capillary</b>	Prismatic, Ø approx. 6 mm	
<b>Thermometer filling</b> → Red → Blue	-30...50 °C -30...200 °C	
<b>Medium temperature</b>	Depending on measuring range	
<b>Ambient temperature</b>	-20...60 °C (only for indoor use)	
<b>Storage temperature</b>	-25...60 °C	
<b>Degree of protection EN 60529</b>	IP65	

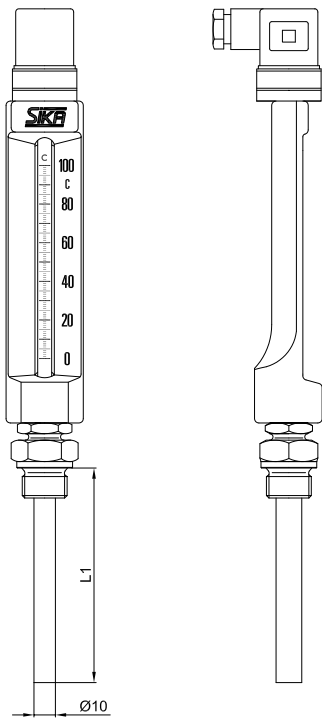
## Approvals



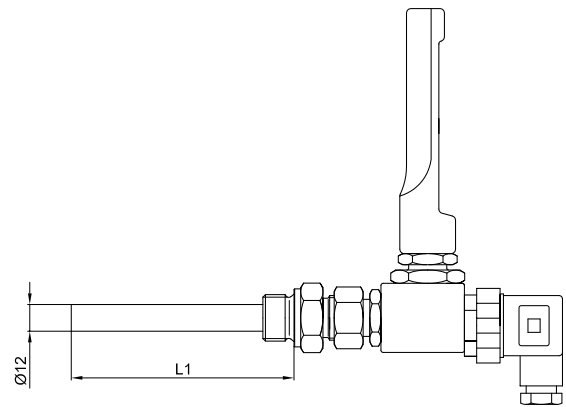
## Electrical data

<b>Measuring element</b>	1 x Pt100 / 3-wire 1 x Pt1000 / 2-wire
<b>Accuracy</b>	Class B
<b>Electrical connection</b>	Cable socket, angle type (DIN EN 175301-803)

K 122



K 130



<b>Material</b>	
<b>Not in contact with media</b>	
<b>Housing</b>	Warm pressed aluminium part, gold anodized
<b>In contact with media</b>	
<b>Process connection</b>	Brass or stainless steel 1.4571
<b>Immersion tube</b>	Brass or stainless steel 1.4571

Order code							
Type							
<b>K122</b> Straight	K122						
<b>K130</b> Angle 90°	K130						
Display ranges							
-30...50 °C	35						
0...60 °C	06						
0...100 °C	10						
0...120 °C	12						
0...160 °C	16						
0...200 °C	20						
Immersion tube length L <sub>1</sub>							
63 mm	063						
100 mm	100						
160 mm	160						
Process connection							
G½			2				
M20 x 1.5			7				
Immersion tube material							
Brass					1		
Stainless steel					3		
Electrical temperature sensor							
1x Pt100 / 3-wire / class B						10	
1x Pt1000 / 2-wire / class B						70	
Scale							
°C							0
°C and °F							2
Example order number	<b>K122</b>	<b>35</b>	<b>063</b>	<b>2</b>	<b>1</b>	<b>10</b>	<b>0</b>

**BEST  
SELLER**

Type	Order number
<b>K 122</b> Dimensions housing 110 x 30 mm, straight, fixed thread connection, 0...100 °C, L <sub>1</sub> = 63 mm, G½, immersion tube material brass, 1x Pt100, Scale = °C, °F	<b>K122 16 063 2 1 10 2</b>
Dimensions housing 110 x 30 mm, straight, fixed thread connection, 0...100 °C, L <sub>1</sub> = 63 mm, G½, immersion tube material brass, 1x Pt100, Scale = °C	<b>K122 16 063 2 1 10 0</b>
<b>K 130</b> Dimensions housing 110 x 30 mm, angle 90°, fixed thread connection, 0...100 °C, L <sub>1</sub> = 160 mm, G½, immersion tube material stainless steel, 1x Pt100, Scale = °C	<b>K130 10 160 2 3 10 0</b>
Dimensions housing 110 x 30 mm, angle 90°, fixed thread connection, 0...160 °C, L <sub>1</sub> = 63 mm, G½, immersion tube material brass, 1x Pt100, Scale = °C, °F	<b>K130 16 063 2 1 10 2</b>



# KombiTemp® // Angle plug // -30...200 °C



K 422



K 522

## Your advantages

Series	K 422 / K 522
	<ul style="list-style-type: none"> <li>• High measurement reliability due to two independent measuring points</li> <li>• Fast detection of malfunctioning probes or dial thermometers in the system to be checked</li> <li>• Low installation costs, advantages of the industrial thermometer</li> </ul>

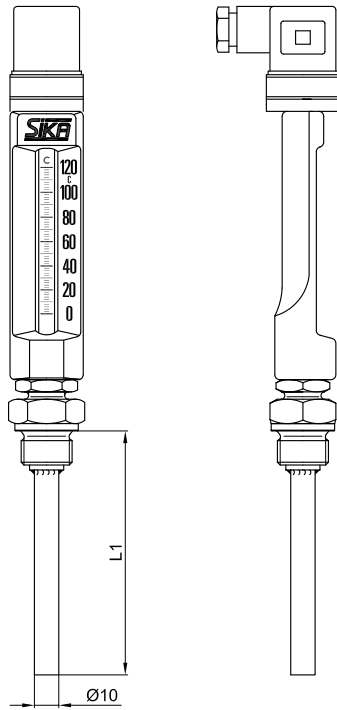
Technical data	
<b>Version</b>	Straight      Angle 90°
<b>Dimensions housing</b>	150 x 36 mm
<b>Measuring range</b>	-30...200 °C
<b>Medium / Application</b>	Liquid and gaseous media
<b>Immersion tube length</b>	63 mm, 100 mm or 160 mm
<b>Immersion tube diameter</b>	10 mm
<b>Process connection</b>	
→ Fixed thread connection	G½ or M20 x 1.5
<b>Nominal pressure</b>	
→ Immersion tube brass	PN 16
→ Immersion tube stainless steel	PN 40
<b>Thermometer capillary</b>	Prismatic, Ø approx. 6 mm
<b>Thermometer filling</b>	
→ Red	-30...50 °C
→ Blue	-30...200 °C
<b>Medium temperature</b>	Depending on measuring range
<b>Ambient temperature</b>	-20...60 °C (only for indoor use)
<b>Storage temperature</b>	-25...60 °C
<b>Degree of protection EN 60529</b>	IP65

## Approvals

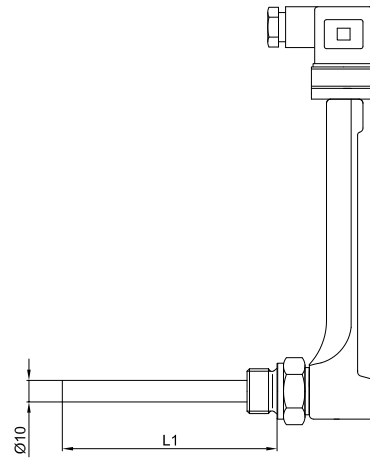


Electrical data	
<b>Measuring element</b>	1 x Pt100 / 3-wire 1 x Pt1000 / 2-wire
<b>Accuracy</b>	Class B
<b>Electrical connection</b>	Cable socket, angle type (DIN EN 175301-803)

K 422



K 522



<b>Material</b>	
<b>Not in contact with medium</b>	
<b>Housing</b>	Warm pressed aluminium part, gold anodized
<b>In contact with medium</b>	
<b>Process connection</b>	Brass or stainless steel 1.4571
<b>Immersion tube</b>	Brass or stainless steel 1.4571

Order code							
<b>Type</b>							
K422							
Straight	K422						
K522							
Angle 90 °	K522						
<b>Display ranges</b>							
-30...50 °C	35						
0...60 °C	06						
0...100 °C	10						
0...120 °C	12						
0...160 °C	16						
0...200 °C	20						
<b>Immersion tube length L<sub>1</sub></b>							
63 mm		063					
100 mm		100					
160 mm		160					
<b>Process connection</b>							
G½			2				
M20 x 1.5			7				
<b>Immersion tube material</b>							
Brass				1			
Stainless steel				3			
<b>Electrical temperature sensor</b>							
1x Pt100 / 3-wire / class B					1		
1x Pt1000 / 2-wire / class B					7		
<b>Scale</b>							
°C							0
°C and °F							2
<b>Example order number</b>	<b>K422</b>	<b>35</b>	<b>063</b>	<b>2</b>	<b>1</b>	<b>1</b>	<b>0</b>

