

KombiTemp® // Head form B // -60...200 °C



K 410



K 620

Your advantages

Series	K 410 / K 420 / K 610 / K 620
	<ul style="list-style-type: none"> • High measurement reliability due to two independent measuring points • Fast detection of malfunctioning probes or dial thermometers in the system to be checked • Low installation costs, advantages of the industrial thermometer

Technical data

Version	Straight	90° angle
Dimensions housing	150 x 36 mm	
Measuring range	-60...200 °C	
Medium / Application	Liquid and gaseous media	
Immersion tube length		
→ Clamp connection	135 mm or 160 mm	
→ Fixed thread connection	63 mm, 100 mm or 160 mm	
Immersion tube diameter	12 mm	
Process connection		
→ Clamp connection	G½	
→ Fixed thread connection	G½, G¾ or M20 x 1.5	
Nominal pressure		
→ Immersion tube brass	PN 16	
→ Immersion tube stainless steel	PN 40	
Thermometer capillary	Prismatic, Ø approx. 6 mm	
Thermometer filling		
→ Red	-60...40 °C	
→ Blue	-30...200 °C	
Medium temperature	Depending on measuring range	
Ambient temperature	-20...60 °C (only for indoor use)	
Storage temperature	-25...60 °C	
Degree of protection EN 60529	IP65	

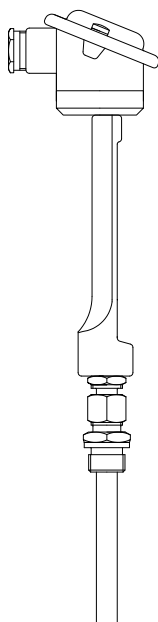
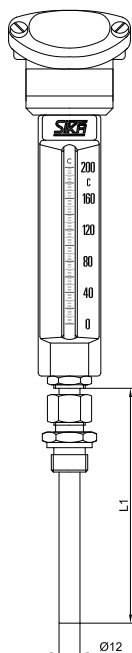
Electrical data

Measuring element	1 x Pt100 / 3-wire 2 x Pt100 / 3-wire 1 x Pt1000 / 2-wire 1 x NiCr-Ni (type K) or 1 x Fe-CuNi (type J) 2 x NiCr-Ni (type K) or 2 x Fe-CuNi (type J)
Accuracy	Class B Class 1
Electrical connection	Head form B (DIN 43729)

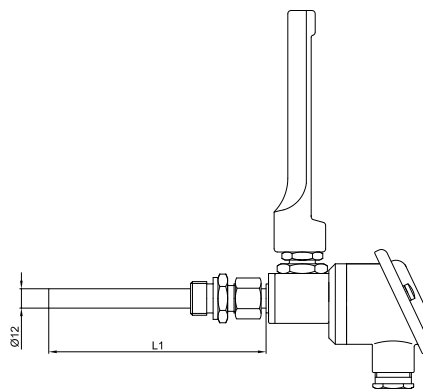
Options

For type	See order code
K 410 / K 420 / K 610 / K 620	Analogue output 4...20 mA or 0...10 V for 1 x Pt100

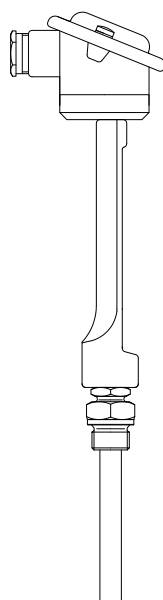
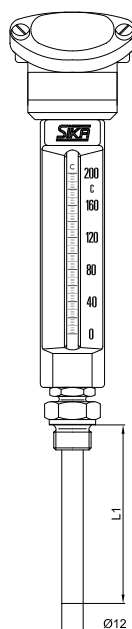
K 410



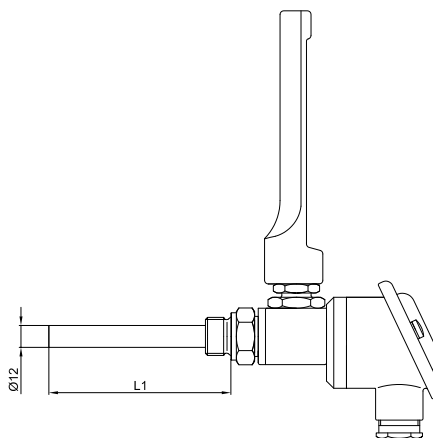
K 610



K 420



K 620



Material

Not in contact with medium

Housing

Warm pressed aluminium part, silver anodized

In contact with medium

Process connection

Brass or stainless steel 1.4571

Immersion tube

Brass or stainless steel 1.4571

Order code									
Type									
K410	Straight, clamp connection	K410							
K420	Straight, fixed thread connection	K420							
K610	Angle 90 °, clamp connection	K610							
K620	Angle 90 °, fixed thread connection	K620							
Display ranges									
	-60...40 °C	64							
	-30...50 °C	35							
	0...60 °C	06							
	0...100 °C	10							
	0...120 °C	12							
	0...160 °C	16							
	0...200 °C	20							
Immersion tube length L ₁		adjusted immersion depth							
Clamp connection (K 410 / K 610)									
	135 mm	50 mm	135						
	160 mm	73 mm	160						
Fixed thread connection (K 420 / K 620)									
	63 mm		063						
	100 mm		100						
	160 mm		160						
Process connection									
Clamp connection (K 410 / K 610)									
	G½		2						
Fixed thread connection (K 420 / K 620)									
	G½		2						
	G¾		3						
	M20 x 1.5		7						
Immersion tube material									
	Brass		1						
	Stainless steel		3						
Electrical temperature sensor									
	1x Pt100 / 3-wire / class B						1		
	2x Pt100 / 3-wire / class B						4		
	1x Pt1000 / 2-wire / class B						7		
	1x NiCr-Ni (type K)						2		
	2x NiCr-Ni (type K)						5		
	1x Fe-CuNi (type J)						3		
	2x Fe-CuNi (type J)						6		
Head transmitter									
	Without							0	
	4...20 mA*							1	
Scale									
	°C							0	
Example order number		K410	64	135	2	1	1	0	0

* Only for 1 x Pt100 / 3-wire / class B

