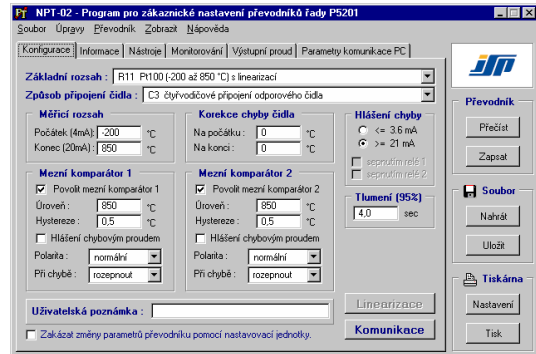


NPT-02 Set-up Program for P5102 and P5201 Transmitters

- Set all parameters of P5102 and P5201 transmitters (P5201 L4, L5 supported from version 2.0)
- Indicates instant measured value and other measured values
- Enables testing of output loop by entering of output current value
- Customer linearization or correction of sensor errors
- Brief note can be saved in the transmitter (up to 32 characters)
- USB or RS232C interface communication.
- PC requirements: WIN XP/Vista/7/8/10



Application

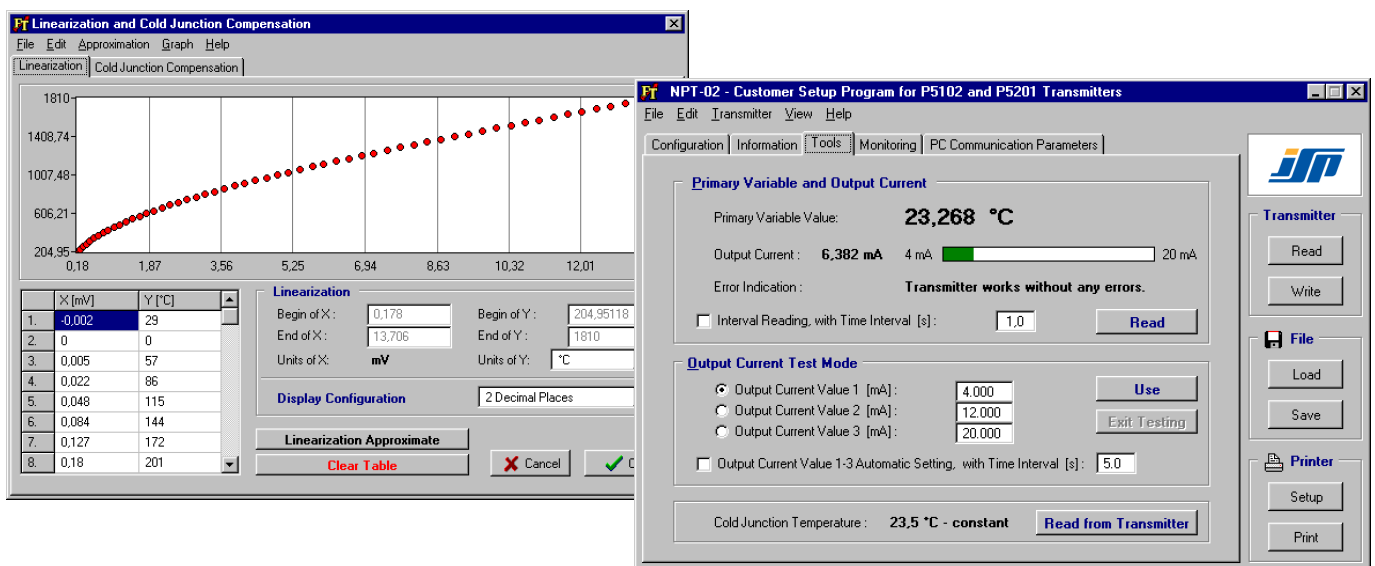
The set-up program in connection with a communication cable KA-01 can set all parameters listed in the Configuration Sheets for P5102 and P5201 transmitters. In addition, it indicates an instant measured value, an output current or voltage, a date of production, a serial number and a model number. In connection with a transmitter it can be used for debugging of a technologic unit because it makes a user controlled high accuracy current supply. The user can enter any current between 3.8 and 20.5 mA and the transmitter will set it in the loop regardless of the input signal value and other settings. The transmitter can be put into a standard measuring operation either by the set-up program or by turning the supply voltage off and on.

Description

The program is distributed on a CD together with a communication cable KA-01 and with a serial port reduction connector. The program control is simple and intuitive with a help system. Configuration can be saved to disk or printed on a printer. Configuration of a transmitter or a configuration from disk can be copied to other transmitters.

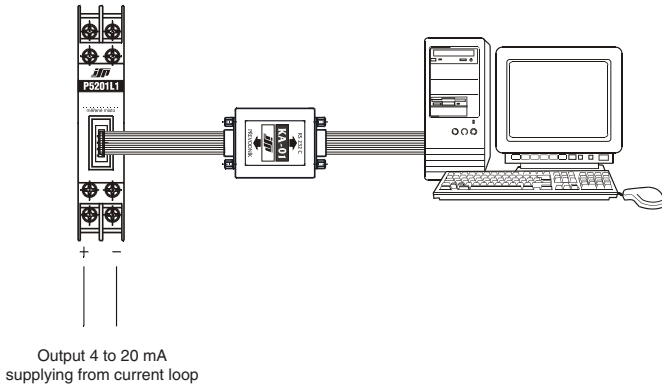
Operating conditions

PC requirements include: PC with WIN XP/Vista/7/8/10. For an easy control it is recommended to use a mouse. During the process of configuration P5102 and P5201 transmitters must be powered by an external power supply (e.g. ZS-011).

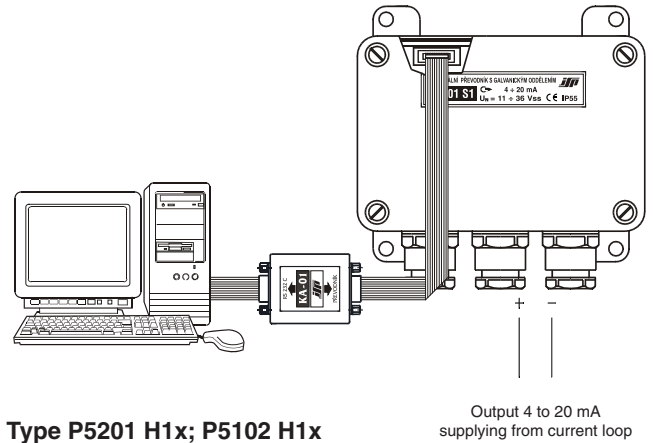


Electrical connection

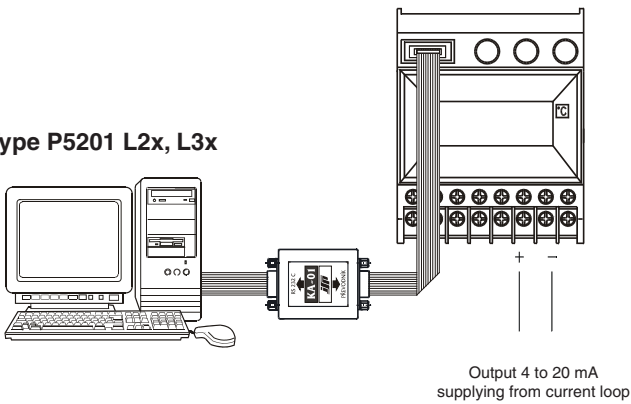
Type P5201 L0x, L1x



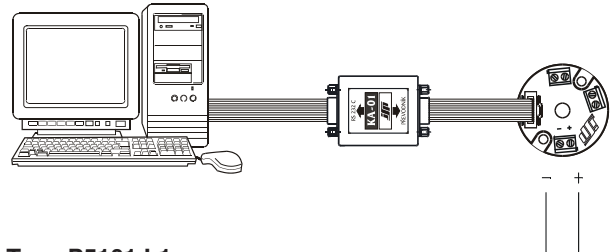
Type P5201 S1x, S2x



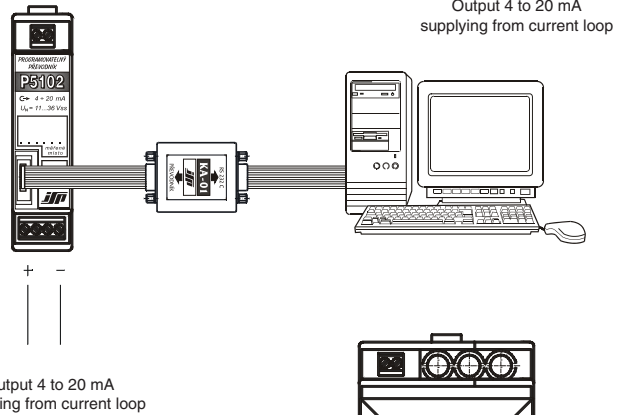
Type P5201 L2x, L3x



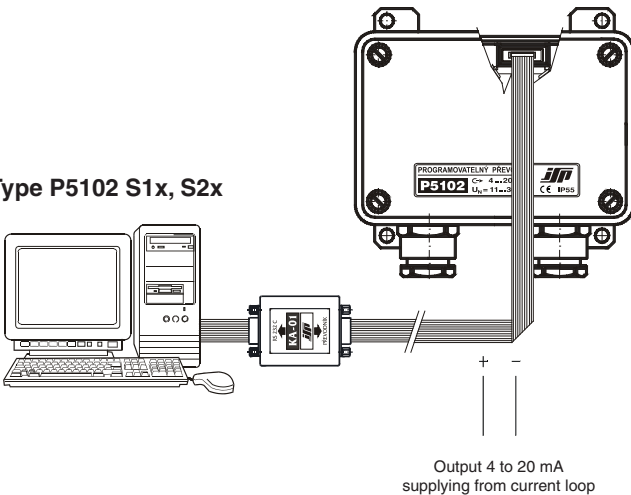
Type P5201 H1x; P5102 H1x



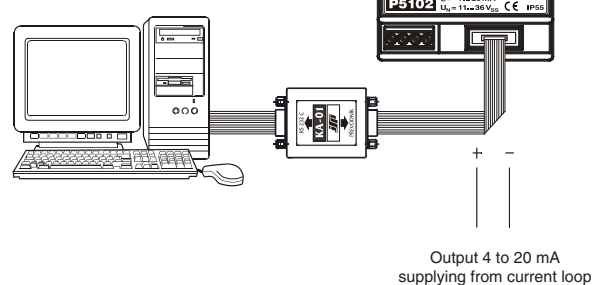
Type P5101 L1x



Type P5102 S1x, S2x



Type P5102 L2x



Type	Description
• NPT-02	Set-up program NPT-02 (CZ+EN) including communication cable KA-01 (serial interface RS232C)
Code	Optional accessories
• KA-01	Spare RS232C interface with circuit isolation
• USB-RS232C	Communication adapter to connecting KA-01 to PC with USB port

Example of order: NPT-02

•... Ex stock version